

ROCO 1200S



SPECIFICATION SHEET



1200S

ROCO 1200S

With one of the largest Screening Areas for a Compact Scalper, The 1200s is supersized to handle any Scalp Screening Application. With a large choice on media selection, from finger tines, Heavy Duty Punch-plate or Heavy Duty Mesh the 1200s is ready to screen soils , construction and demolition waste, aggregate, wood-chip and sticky Material at ease .With the added Chassis Riser the 1200s is the perfect choice for rental fleet, skip yards, recycling centers or handling crusher feed.

Working Dimensions

Length: 11.54m / (37ft 7")
Width: 11.25m / (36ft 9")
Height: 3.7m / (12ft 1")

Transport Dimensions

Length: 9.9m / (32ft 5")
Width: 2.30m / (7ft 6")
Height: 3.10m / (10ft 1")
Weight: 15,600kg/ (34,400lbs)

Container friendly

Operating Weight

Weight: 15,600kg/17.2 US TON/34,400lbs

Hopper

Width: 1.9m (6ft3")
Length: 3.55m (11ft8")
Max volume: 4.5m³ (5.9yd³)

Screenbox

Top Deck: 10ftx4ft (3mx1.2m)
Bottom Deck: 10ftx4ft (3mx1.2m)
Angle : 15° fixed



Feeder Belt

Width: 1050mm(42")
Type: Plain Belt Only
Control: Variable Speed

Fines Belt

Width: 650mm(26")
Discharge Height: 3.1m(10ft 1")
Control: Variable speed

Mids Belt

Width: 650mm(26")
Discharge Height: 2.8m(9ft 1")
Control: Variable speed

OverSize Belt

Width: 900mm(36")
Discharge Height: 3.1m(10ft 1")
Control: Variable Speed

Collection Belt

Width: 1050mm(42")
Control: Constant

Tracks

Width: 300mm (Shoes)
Speed: 1km/h

Performance

Max feed size: 350mm / 12"
Protental output: 220tph / 242tph US

Electrics

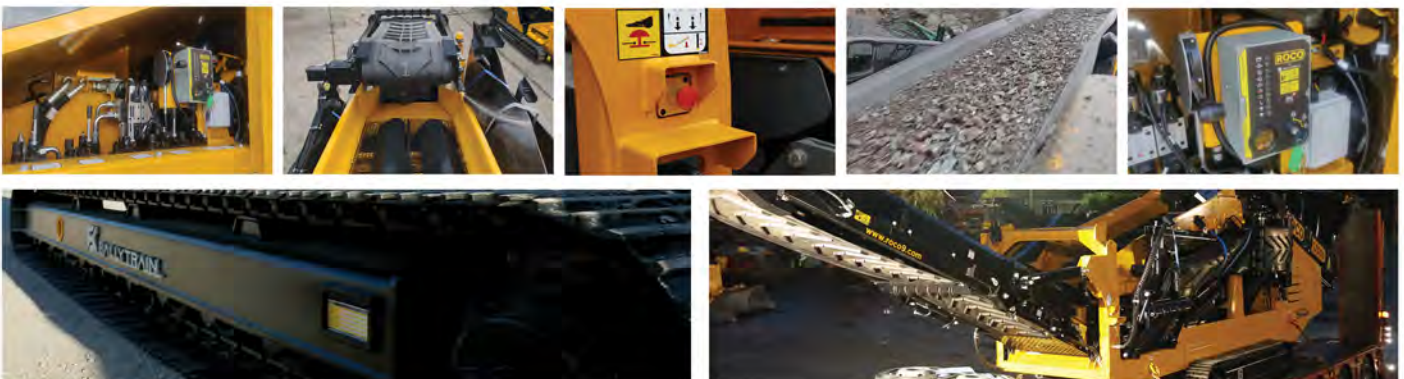
Emergency stops: Yes, Including tracking controls
Start Siren: Yes
Flashing Beacon: Yes
Safety Switches: Yes

Spec options

1. Top deck: Finger tines, bofor bar, punch plate or mesh
2. Galvanized Catwalk
3. Radio remote control

Power unit Options

- Tier 3 - JCB 444 DieselMAX 63Kw - ROW
- Tier 4F - JCB444 EcoMAX - 55Kw - USA
- Stage V - T.Deutz 2.9L4 - 50Kw - EU



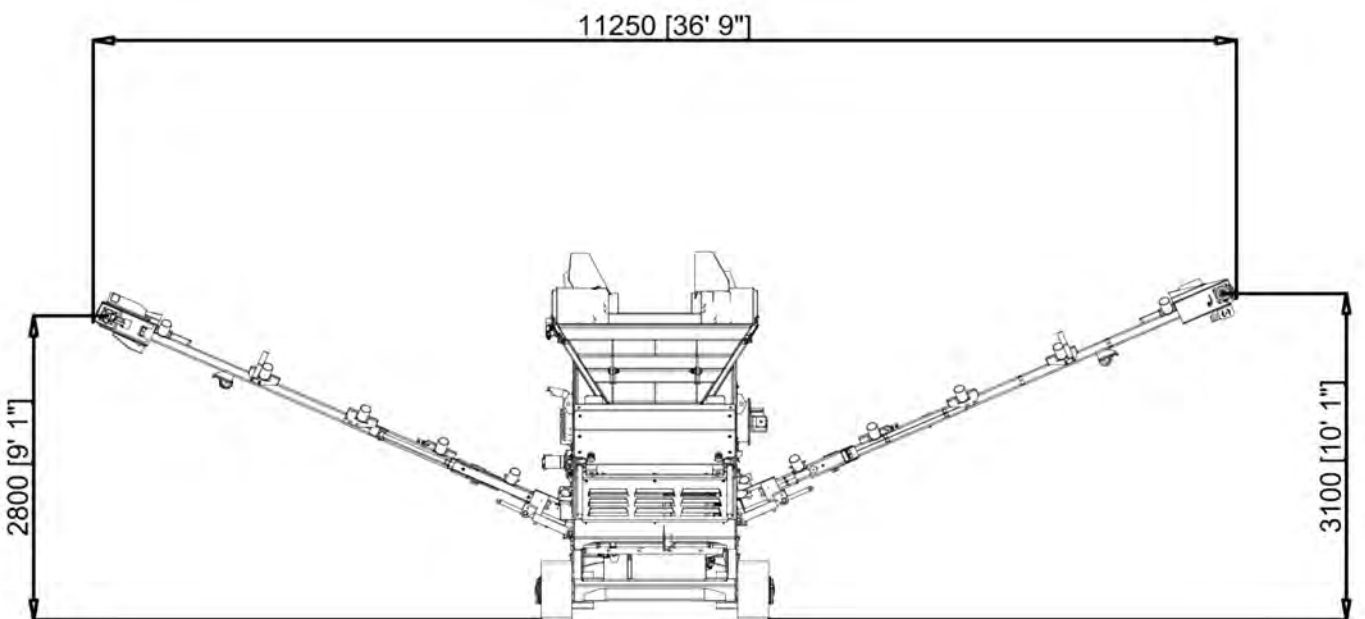
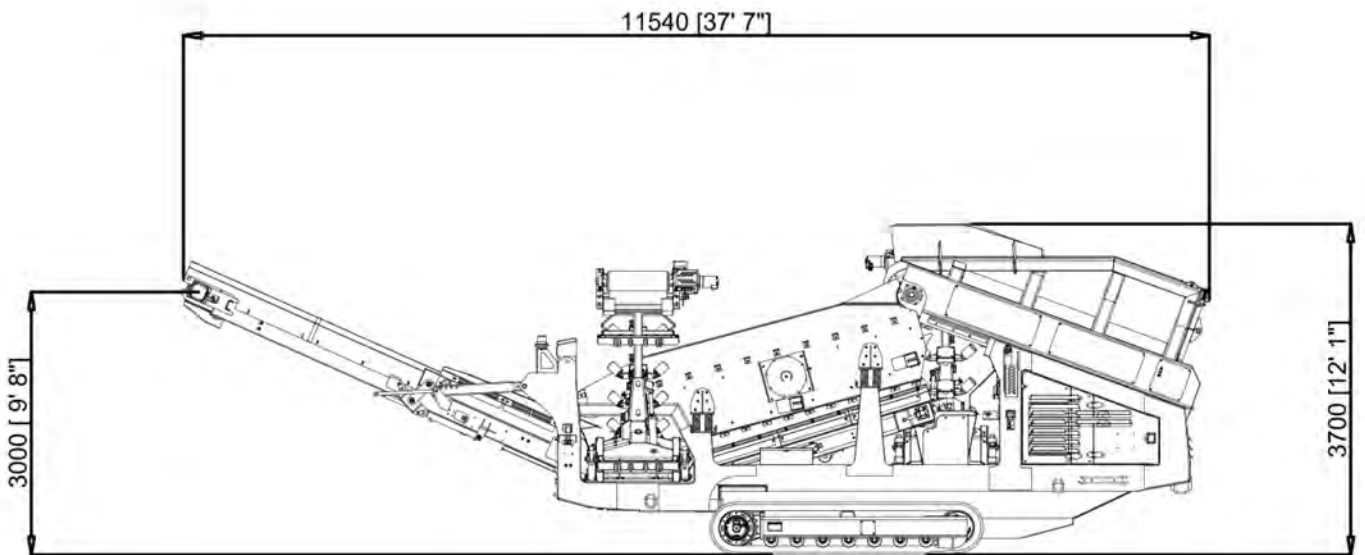


Safety Features

- External Grease Points at Ground Level (Piped).
- Engine Safety Shutdown Sensors to Oil, Level Over-speed, Water Level / Over Heating.
- CE Compliance Complete with Certificate.
- Safety Decals Installed Highlighting Danger Points.
- Nip Points Highlighted.
- Lockable Shutdown / Isolator Switch.
- All Return Rollers Safety Guarded.
- Emergency stop switches installed (Dog-lead, Main chassis Left & right)
- Full Hardback User Manual & Parts Manual and USB Key Provided.
- Flashing Light and Warning Siren.
- Ground level Maintenance.
- Delayed Tracking.



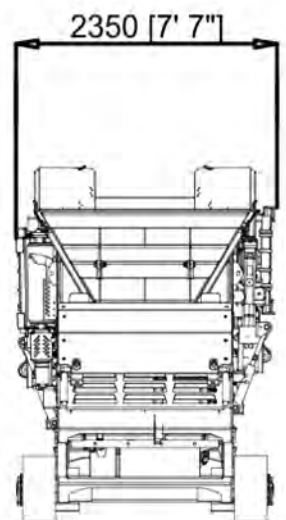
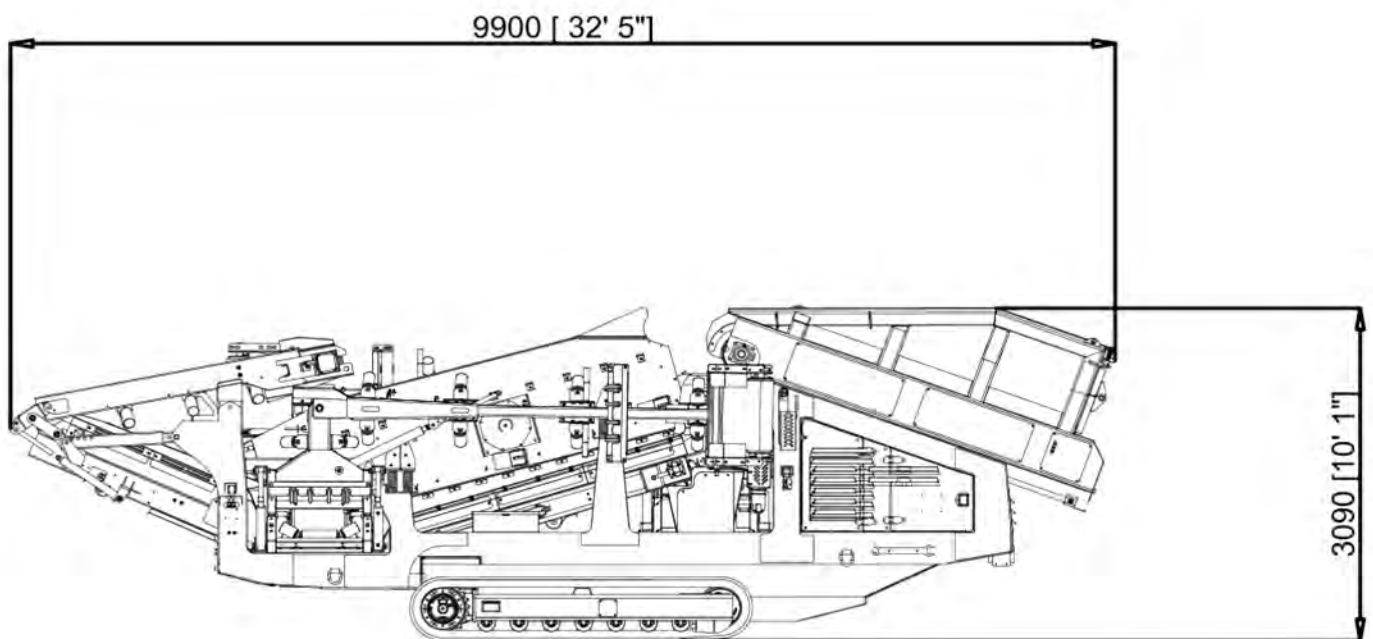
Working Position





Transport Position

Container Friendly 40FT HC





205A Concession Road
Crossmaglen, Newry
Co. Armagh, Northern Ireland
BT35 9JD

T +44 28 30868833
E sales@roco9.com

