

ROCO 1600S



SPECIFICATION SHEET



1600S

ROCO 1600S

The Big Brother of the 1200s, The 1600s is designed for the most demanding screening jobs with massive potential of up to 450TPH due to its equal sizing of the top and bottom decks. Oversize hopper with Hydraulic Folding extensions allows for loading by large wheel loaders or excavators. With its drop down Rear door it is also the ideal screener for handling direct feed from crushers. The 1600s is super equipped for screening soils, quarryburden, natural aggregates and all recycable material

Working Dimensions

Length:	13.6m / 44ft 6"
Width:	13.9m / 45ft 6"
Height:	4.4m / 14ft 4"

Transport Dimensions

Length:	13.6m / 44ft 6"
Width:	3m / 9ft 8"
Height:	3.4m / 11ft 2"
Weight:	23,000kg/50,600lbs

Operating weight

Apron feed:	25,500kg//28.1 US TON/56,200lbs
Belt Feed:	23,000kg/25.3 US TON/50,600lbs

Hopper

Width:	2.7m (8ft 9")
Length:	3.7m (12ft 1")
Max volume:	7.2m ³ (9.4yd ³)



Screenbox

Top Deck: 14ftx5ft (4.27mx1.52m)

Bottom Deck: 14ftx5ft (4.27mx1.52m)

Angle 15-19 ° Fully galvanised maintenance catwalks installed to both sides of screenbox.

Feeder Belt

Width: 1200mm(48")

Type: Plain Belt

Control: Variable Speed

Fines Belt

Width: 800mm(32")

Discharge Height: 3.8m(12ft 5")

Control :Variable Speed

Mids Belt

Width: 800mm(32")

Discharge Height: 3.6m(11ft8")

Control: Variable Speed

OverSize Belt

Width: 1200mm(48")

Discharge Height: 3.4m(11ft1")

Control: Variable Speed

Collection Belt

Width: 1200mm(48")

Control: Constant

Performance

Max feed size: 450mm / 18"
Potential Output: Up to 450tph / 496 tph US

Electrics

Emergency stops: Yes, Including remote tracking
Start Siren: Yes
Flashing Beacon: Yes
Safety Switches: Yes

Spec options

1. Screenbox options
 - Finger tines,
 - Bofor bars,
 - Punch plate
 - HD mesh
2. Radio remote control
3. Apron feeder

Power unit Options

- Tier 3 - CAT 4.4 (74.5Kw) or JCB444 (85kW) DieselMAX - ROW
- Tier 4F - JCB444 EcoMAX (81Kw) - USA + EU
- Stage V - JCB444 EcoMax



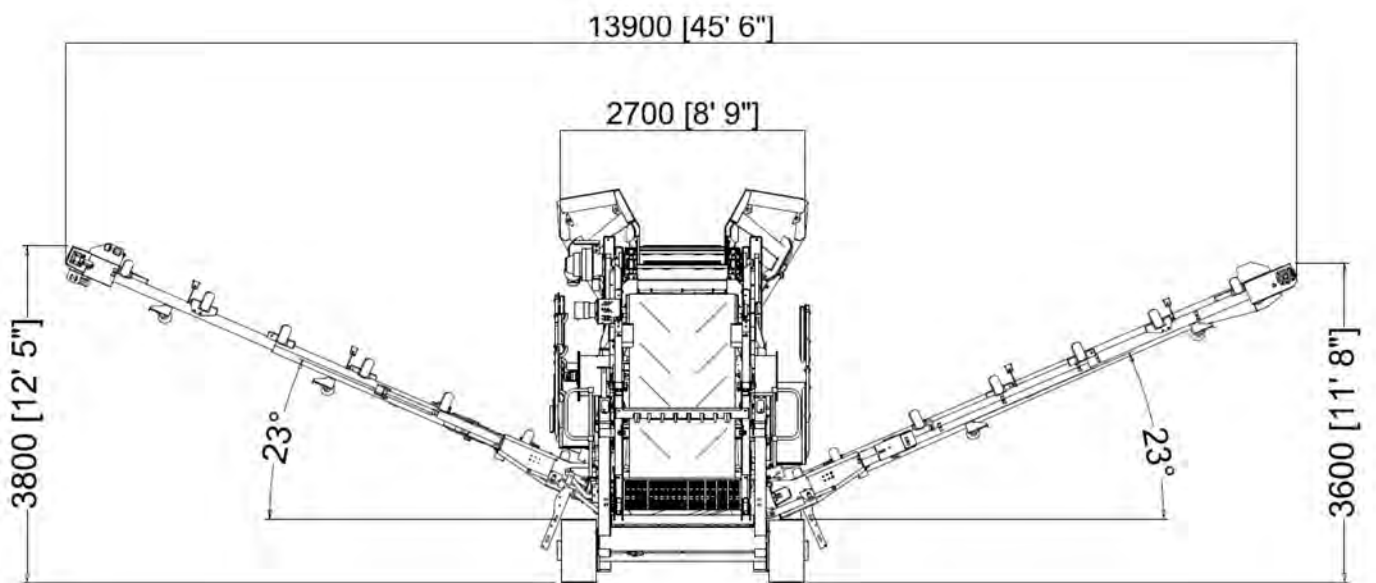
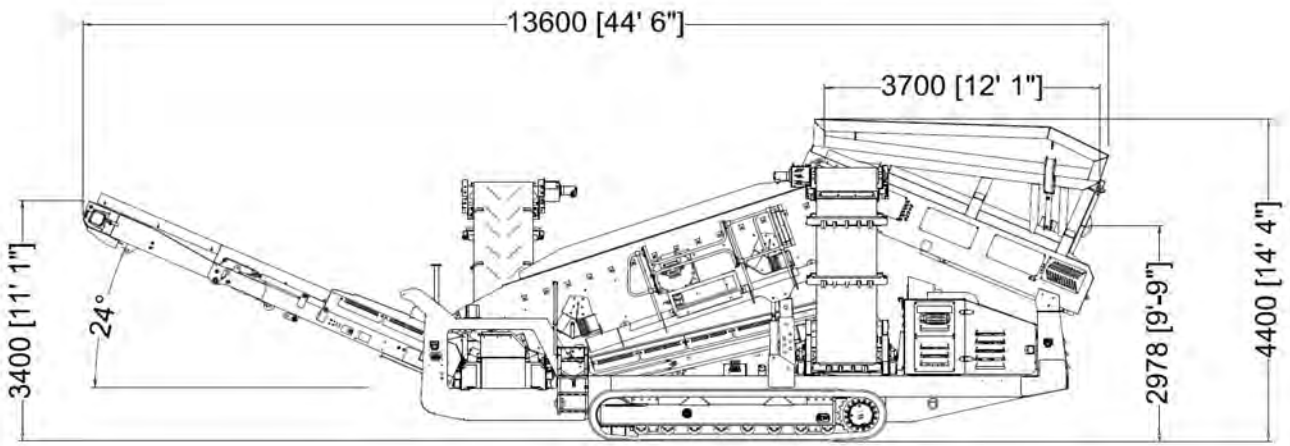


Features and Benefits

- External Grease Points at Ground Level (Piped).
- Engine Safety Shutdown Sensors to Oil, Level Overspeed, Water Level / Over Heating.
- CE Compliance Complete with Certificate.
- Safety Decals Installed Highlighting Danger Points.
- Nip Points Highlighted.
- Lockable Shutdown / Isolator Switch.
- All Return Rollers Safety Guarded.
- Emergency stop switches installed (Doglead, Main chassis Left & right)
- Full Hardback User Manual & Parts Manual Provided and USB key.
- Fully Galvanized Maintenance Platforms /Catwalks with Folding Ladders
- Fully Hydraulic Folding Hopper Extensions - No Pinning Required.
- Flashing Beacon, Siren

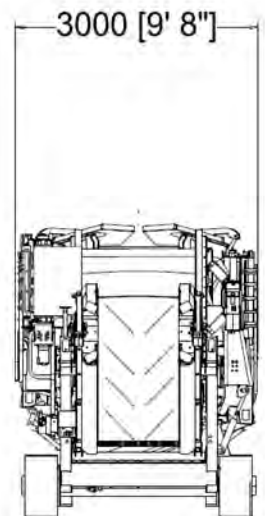
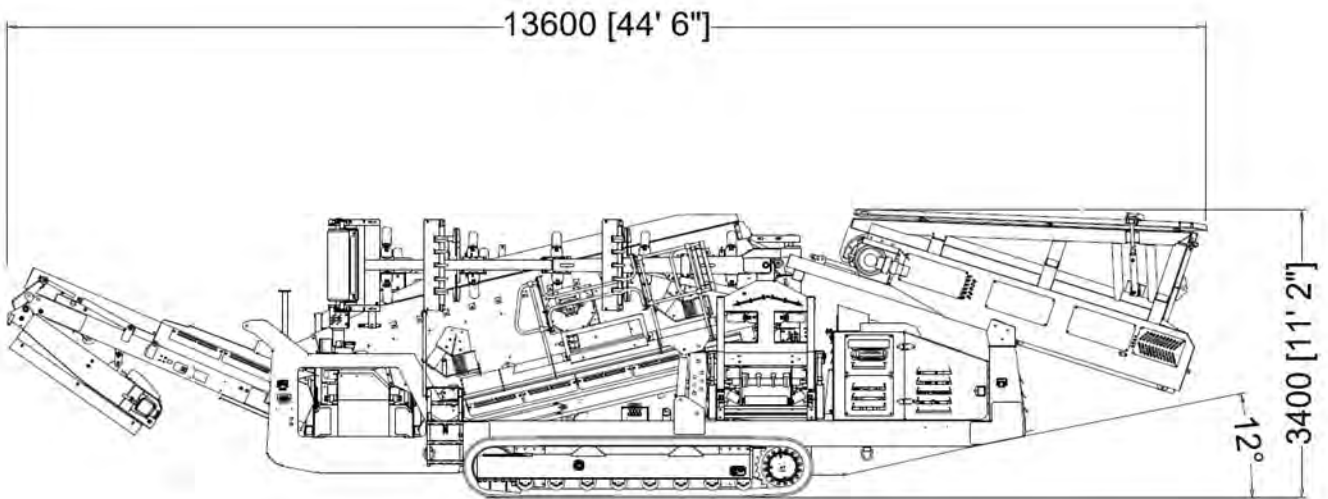


Working Position





Transport Position



ROCO



205A Concession Road
Crossmaglen, Newry
Co. Armagh, Northern Ireland
BT35 9JD

T +44 28 30868833
E sales@roco9.com

